



## Low Profile - Compact Limit Switch

The compact ALS series rotary limit switch enclosure provides both visual and remote electrical indication of valve position.



### Corrosive Environment

Our standard housing is offered with nickle infused or epoxy coating.

### Inclusive Mounting Bracket

is supplied as standard, to actuators with NAMUR top-mounting.

### High Visibility Indicator

The compact ALS limit switch is designed for applications where space, weight and cost are of major concern

### Captive Cover Screws

permits cover removal without potential of losing screws.

### Low Profile

Compact Body Design

### Variety of Indicator Dome Selections



A



B



C



D



E



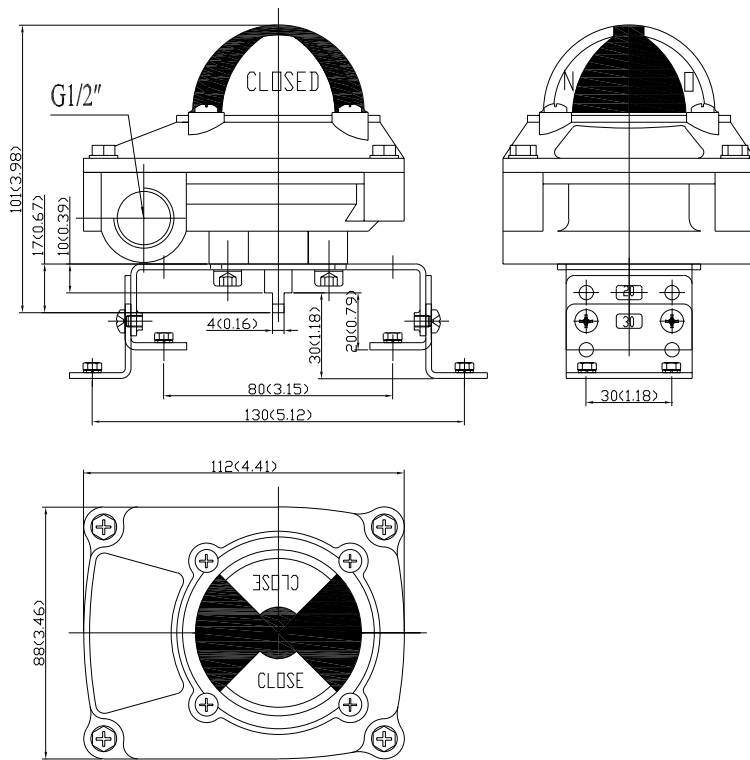
F

**Ideal, Economical, Manual Limit Switch for 1/4 turn valves. When position indication of the valve is required at the valve or at remote locations, Flo-Tite's ALS series is an ideal choice. Applications for these units include the control of signaling devices, panel lights and visual indication of the valve position.**



# Technical Data

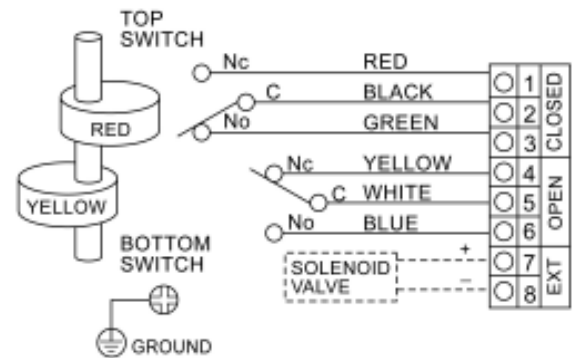
## Flo-Tite's ALS Series Limit Switch



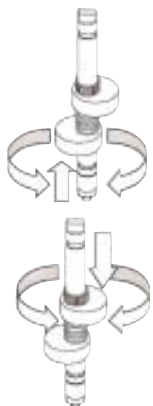
### Specifications

<b>Enclosure</b>	Die-cast aluminum, Nickel infused or epoxy powder coating
<b>Weather proof</b>	IP67, Type 4, 4x
<b>Area Classification</b>	N/A
<b>Sealed</b>	Buna-N O-Ring
<b>Sensor(M2)</b>	(2) SPDT Honeywell Mechanical Switches 5A125-250VAC
<b>Visual Display</b>	90° Yellow (open) Red (closed) indicator
<b>Shaft</b>	304 Stainless Steel Namur Shaft
<b>Conduit Entries</b>	(2) 1/2" NPT conduit entries (Optional, 1/2" BSPP, M20-1.5)
<b>Mounting Bracket</b>	MB-1.0: 30 x 80 H:20, (Stainless Steel) 30 x 80 H:30, (CS plated)
<b>Temperature Rating</b>	-68°F-185°F

### Wiring Diagram



### Limit Switch Adjustment



1. Loosen limit switch box cover screws and remove cover.
2. Rotate actuator to full counterclockwise position. Valve is in fully open or closed position.
3. Lift up bottom cam and turn until switch is activated and then release. Engage cam back onto the splined retainer. Spring will maintain cam engagement.
4. Rotate actuator to full clockwise position. Valve is in fully closed or open position.
5. Push down top cam and turn until switch is activated and then release. Engage cam back onto the splined retainer. Spring will maintain cam engagement.
6. Place cover on limit switch box and tighten. Take care to ensure that housing O-ring is properly located in seal groove.



P.O. Box 1293  
Lumberton, NC 28359  
Website: [www.flotite.com](http://www.flotite.com)

Flo-Tite, Inc.  
305 East 21st Street  
Lumberton, NC 28358

Tel: (910) 738-8904  
Fax: (910) 738-9112  
E-mail: [flotite@nc.rr.com](mailto:flotite@nc.rr.com)